

**PREMIER QUALITY
GLOBAL REPUTATION**

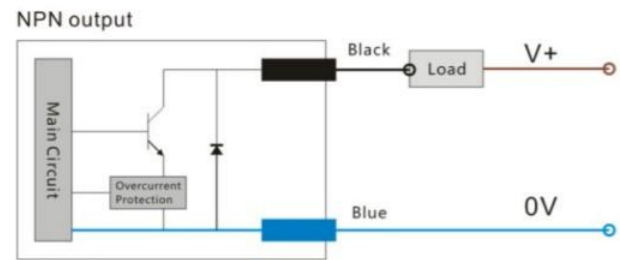
XINGYU ELECTRON(NINGBO)CO.LTD
www.xyelectron.com



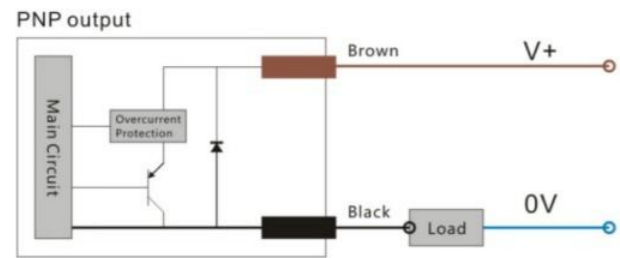
DPS Series Digital pressure switch

- LCD display
- Four display modes
- 2*NPN or 2*PNP output
- Double-row LCD display, can show 4-digit value

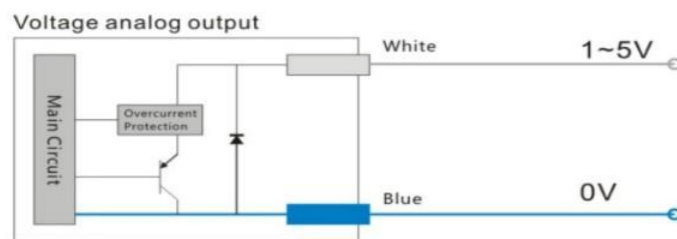




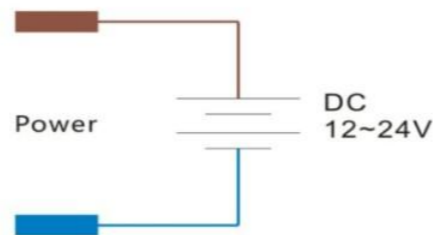
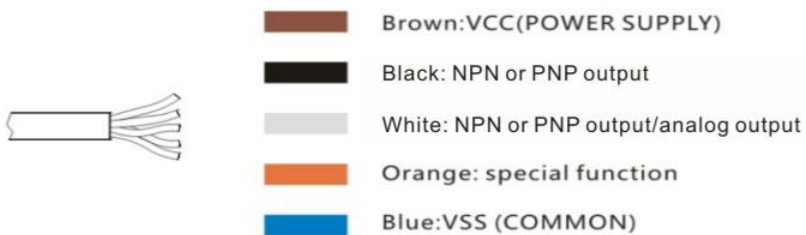
NPN OC circuit:
Low level output when the switch is on:
High resistance when the switch is off:



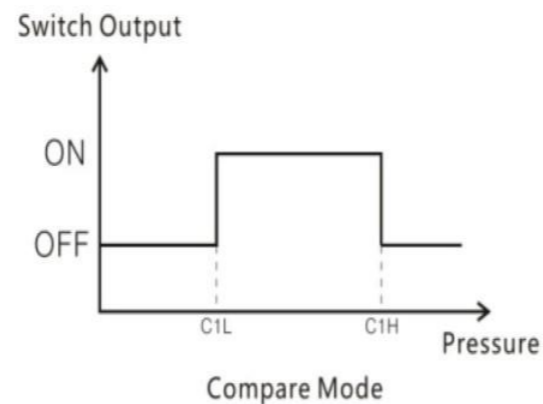
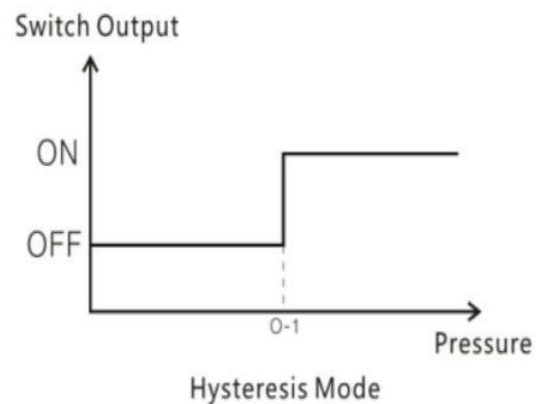
PNP OC circuit:
High level output when the switch is on
High resistance when the switch is off:



Analog voltage output
Full scale proportional output
Reference level 0V

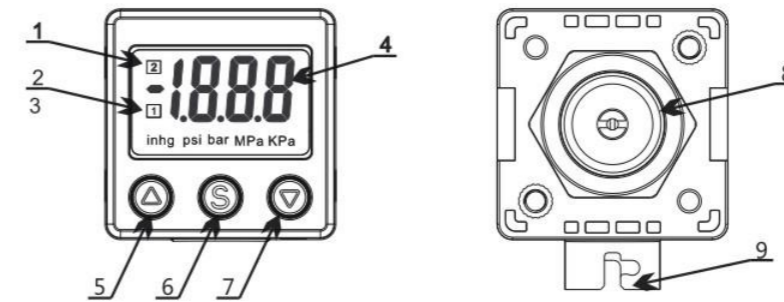


OUTPUT FUNCTION DIAGRAM



DPS-7 Series

PANEL

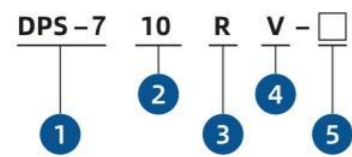


No	Name
1	Output indicator
2	Output indicator
3	Pressure unit
4	Main display section
5	Up button
6	Section button
7	Down button
8	Pressure port
9	Electric interface

SPECIFICATION

Model	DPS-701	DPS-702	DPS-710	
Pressure measure	Range Of Measure	-100KPa~100KPa	-100KPa~0KPa	-0.1MPa~1MPa
	Setting Range	-100KPa~100KPa	-100KPa~0KPa	-0.1MPa~1MPa
	Withstand Pressure	500KPa	500KPa	1.5MPa
	Pressure Type	Gauge pressure test		
	Measure Accuracy	≤±2%F.S.(ambient temperature 25°C)		
	Temperature Error	≤±3%F.S. (temperature range 0~ 50°C)		
Measure Pattern	Easy Mode			
	Hysteresis model			
	Window comparator mode			
Display	Status Display	LCD, 4-digit measurement value, unit display, output status display		
	Display Model	Adjustable backlight, 4 groups of display modes		
Input Power	Voltage Range	12~24VDC ±10%		
	Power Consumption	40mA max(non-load)		
Output Signal	Transistor Output	NPN open-collector output Output current :80mA MAX Voltage drop : ≤ 1V	PNP open-collector output Output current :80mA MAX Voltage drop : ≤ 1V	
	Analog Output	Voltage output Signal amplitude:1~5V Load resistance ≥ 1KΩ	Current output Signal amplitude:4~20mA Load resistance ≤ 400KΩ	
	Response Time	Adjustable : 2.5ms, 20ms, 100ms, 500ms, 1000ms, 1500ms		
	Short-circuit Protection	Yes		
Environmental Resistance	Ip Class	IP65		
	Ambient Temperature	Operating temperature 0~50°C ,storage temperature -20~60°C		
	Ambient Humidity	Operating humidity 35~ 80%RH		
	Insulation Voltage	1000VAC 1min		
	Insulation Resistance	≥50mΩ(500VDC)		
	Shock	Max100m/s²,3time seach in 6 directions of x,y,z		
Vibration	Amplitude 1.5mm, 10HZ~ 500HZ, 2 hours each direction of x,y,z			

ORDERING CODE



1. DPS-7 Series IP65 Waterproof

2. Range
 10: -100~1000kpa
 01: -100~100kpa
 02: -100~0kpa

3. Port
 R: R1/8 (M5 female thread)
 N: NPT1/8 (M5 female thread)
 G: G1/8 (M5 female thread)

4. Output
 V: 2*NPN+Analog 1~5V
 W: 2*PNP+Analog 1~5V
 A: 2*NPN+Analog 4~20mA
 B: 2*PNP+Analog 4~20mA

5. Mounting
 M: Panel
 N: Panel+shield
 Z: L bracket
 S: S bracket

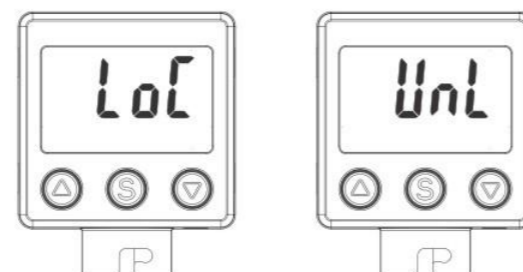
QUICK SETTING

Zero point setting



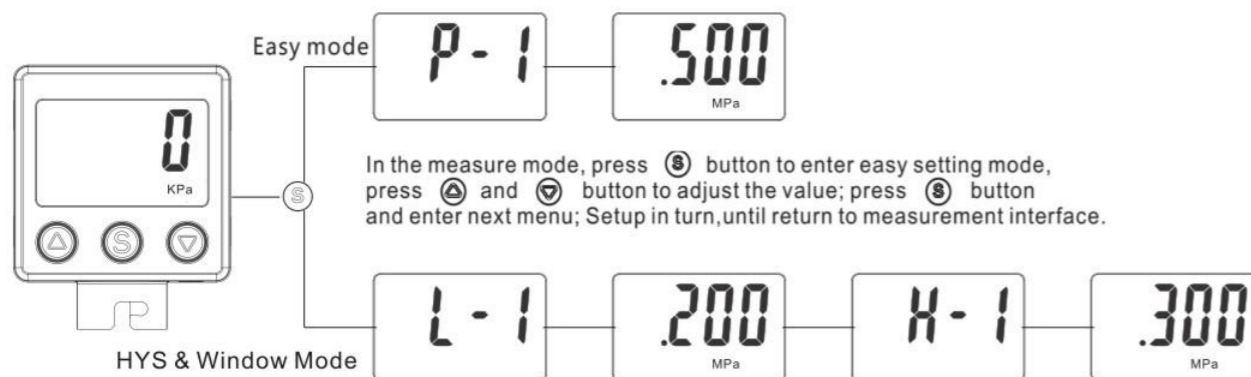
In the measure mode, press Δ + ∇ button at the same time, until display "0", release the button;
 PS: reset range: +/-10%F.S.

key lock and unlock



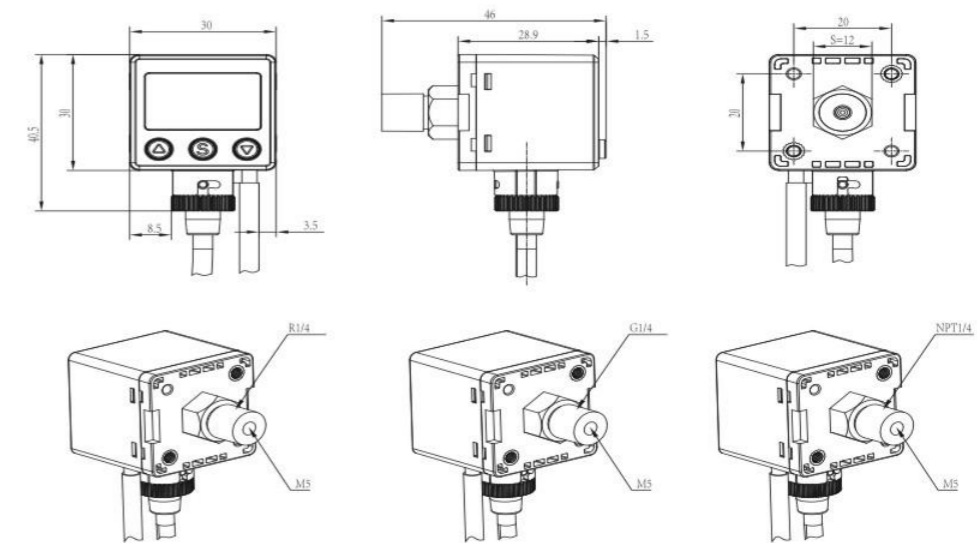
Lock: in the measure mode, press Δ + S + ∇ button at the same time until "LOC" shown, release the buttons;
 Unlock: in the measure mode, press Δ + S + ∇ button at the same time until "UNL" shown, release the buttons.

Easy setup

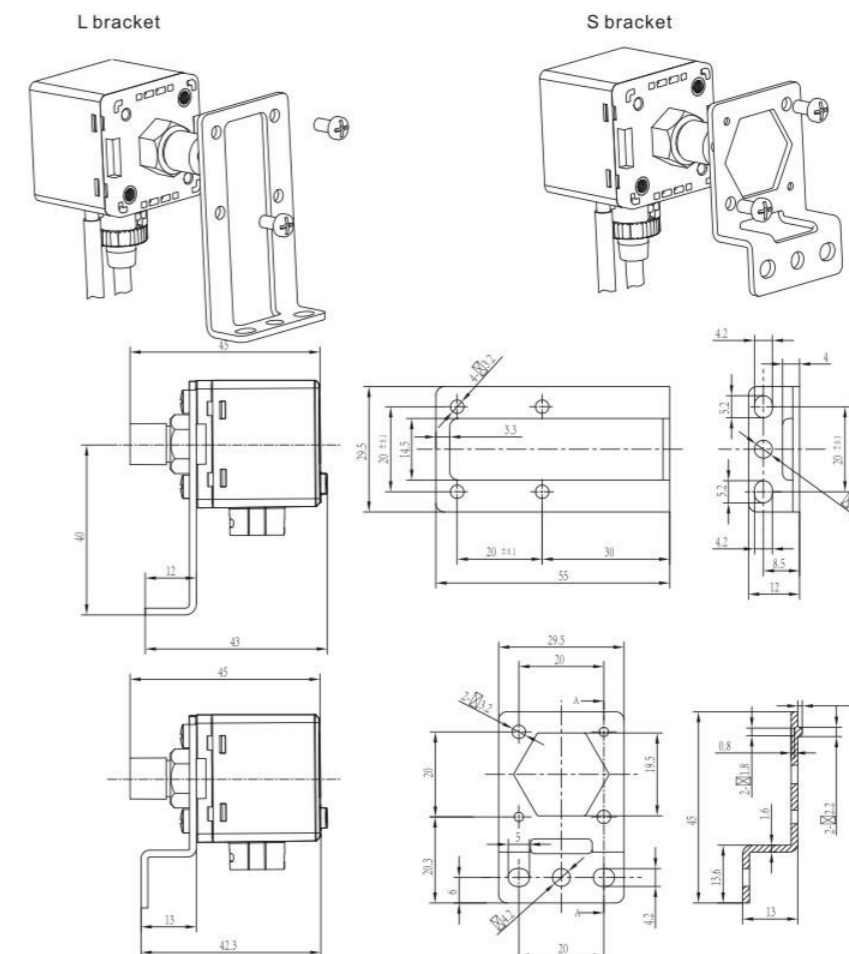


MOUNTING DIMENSIONS(mm)

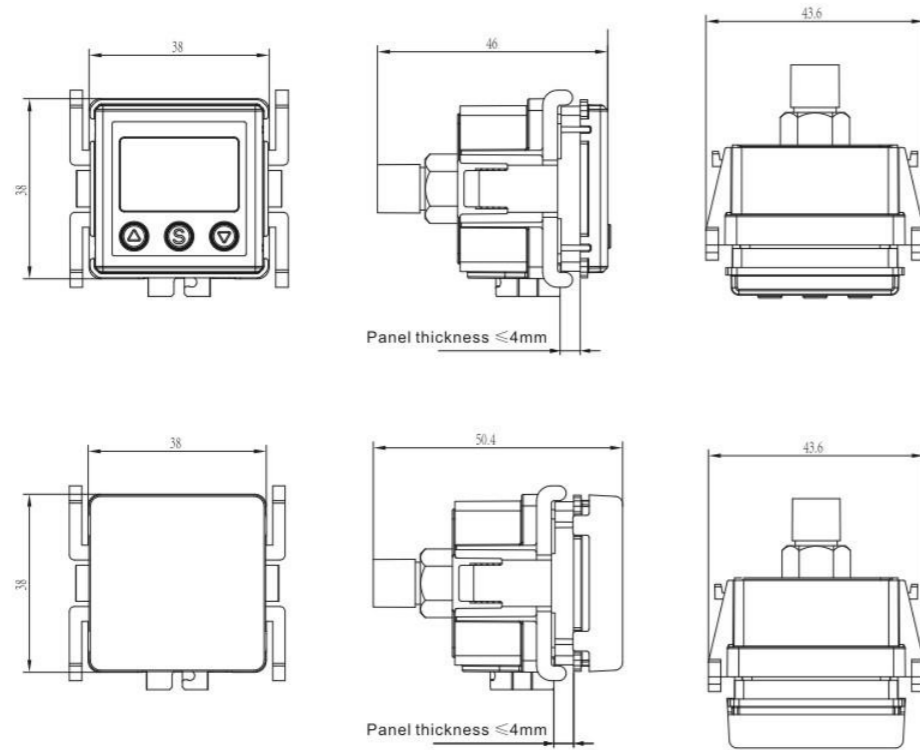
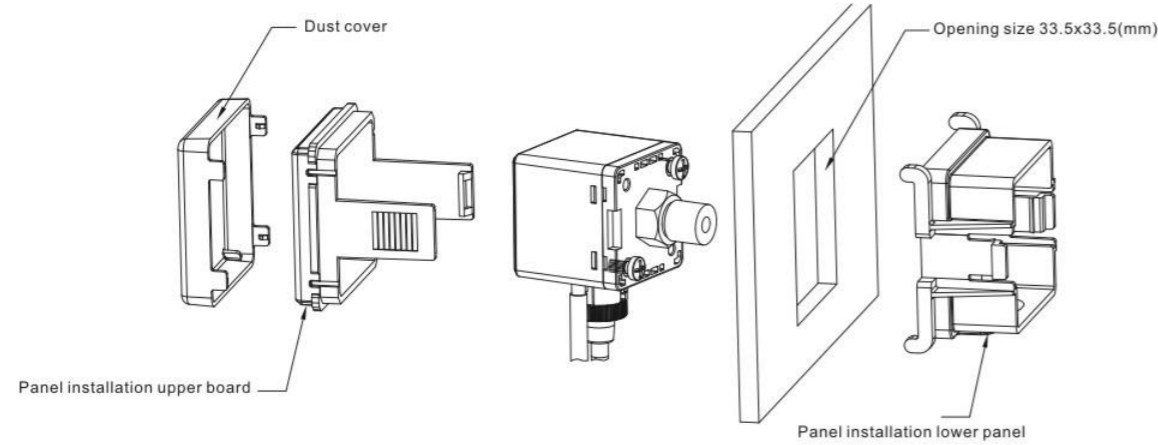
Overall dimension & connection port



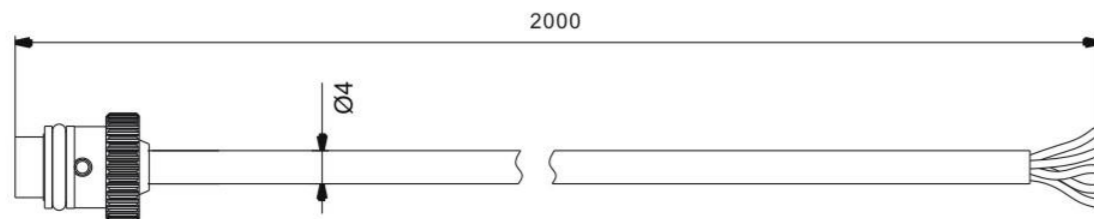
Mounting bracket



Panel bracket

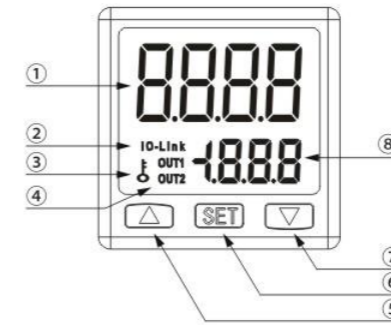


Wire size



DPS-8 Series IO-Link

PANEL

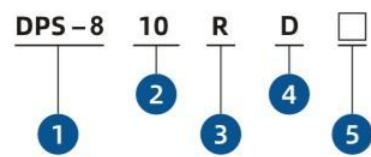


No	Name
1	Main display area (pressure/function menu)
2	Communication indication
3	Frequency lock indicator
4	Switch output indicator
5	Up adjustment button
6	Set function keys
7	Lower adjustment button
8	Auxiliary display area (pressure setpoint)

SPECIFICATION

Model		DPS-801 Compound pressure	DPS-810 Positive pressure
Pressure measure	Range of Measure	-100KPa~+100KPa	-100KPa~+1000KPa
	Setting Range	-100KPa~+100KPa	-100KPa~+1000KPa
	Withstand Pressure	500KPa	1500KPa
	Pressure Type	Non flammable, non-corrosive gas, gauge pressure measurement	
	Measure Accuracy	≤±2%F.S.(ambient temperature 25°C)	
	Temperature Error	≤±3%F.S. (temperature range 0~ 50°C)	
	Measure Pattern	Single point mode Hysteresis model Window comparator mode	
Port size		R1/8, G1/8, NPT1/8, M5	
Input Power	Voltage Range	12~24VDC ±10%	
	Power Consumption	40mA max(non-load)	
Output Signal	Switch output	NPN / PNP MAX CURRENT: 250mA	
	Response time	Adjustable Lowest 2.5mS	
	Communication method	Model: IO-Link Version: V1 .1 Communication speed:COM238.4kbps Ssettings file: IODDfile	Minimum cycle time! 2.5mS Process data length: Input 2bytes,output Obytes Vendor ID: 1524 (0x5F4)
Environmental Resistance	Ip Class	IP40	
	Ambient Temperature	Use temperature 0~50°C ,storage temperature -20~60°C	
	Ambient Humidity	Operating humidity 35~ 80%RH	
	Insulation Voltage	1000VAC 1min	
	Insulation Resistance	≥50mΩ(500VDC)	
	Shock	Max100m/s²,3time seach in 6 directions of x,y,z	
	Vibration	Amplitude 1.5mm, 10HZ~ 500HZ, 2 hours each direction of x,y,z	

ORDERING CODE



1. DPS-8 Series Digital Pressure Switch

2. Range
10: -100~1000kpa
01: -100~100kpa

3. Port
R: R1/8 M5
G: G1/8 M5
N: NPT1/8 M5

4. Output
D: 2 Line Switch
With M12 aviation plug

5. Mounting
M: Panel
Z: L bracket
S: S bracket

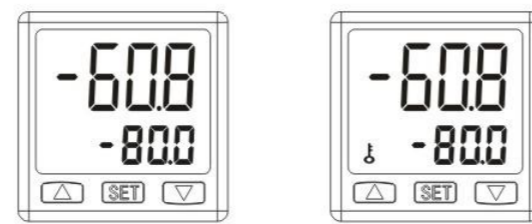
QUICK SETTING

Zero point setting



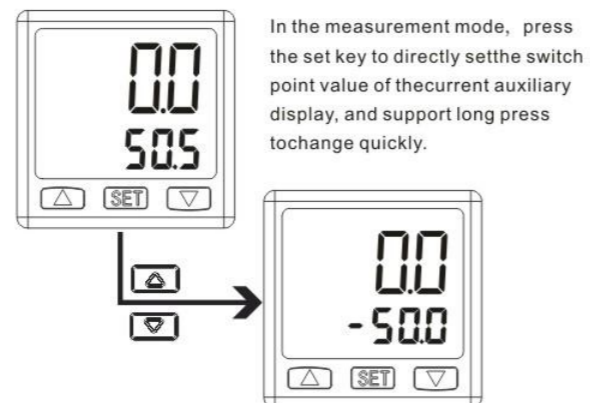
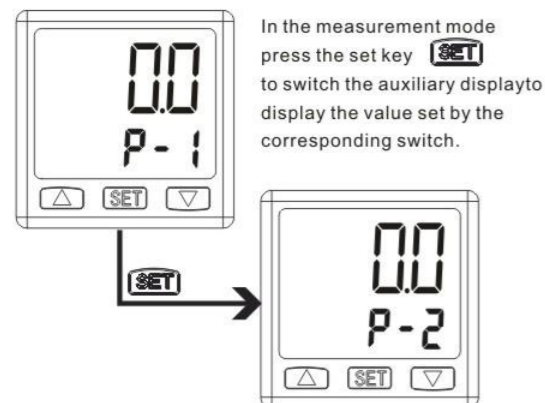
In the measure mode, Press button at the same time. until display "O", release the button
PS: Reset range: 10% F.S.

key lock and unlock



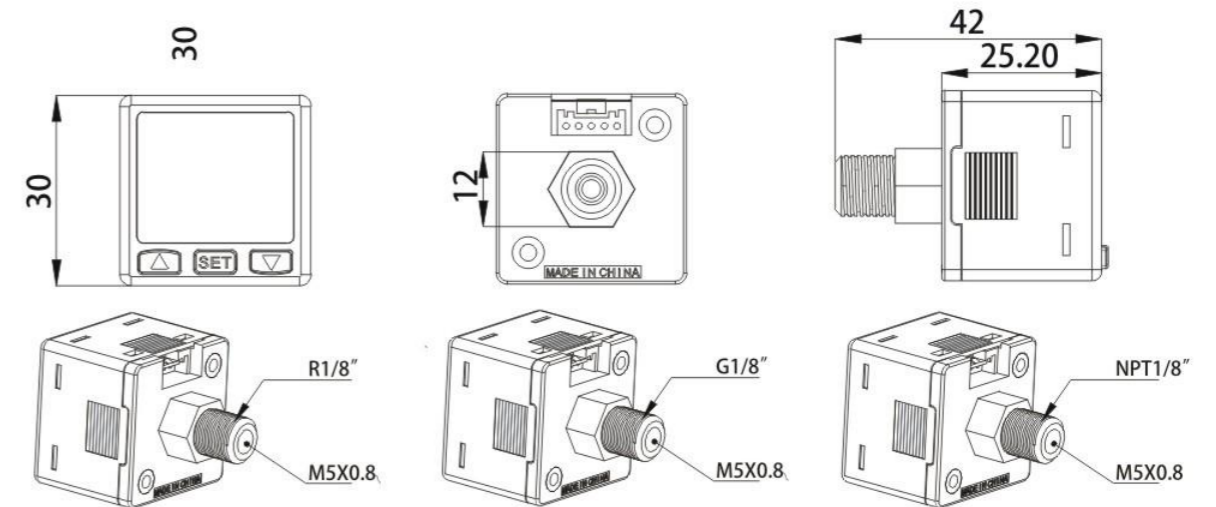
Lock: In the measure mode, press at the same time until "LOCK ON" shown, release the buttons
Unlock: Press same button. until "Lock off"

Easy setup

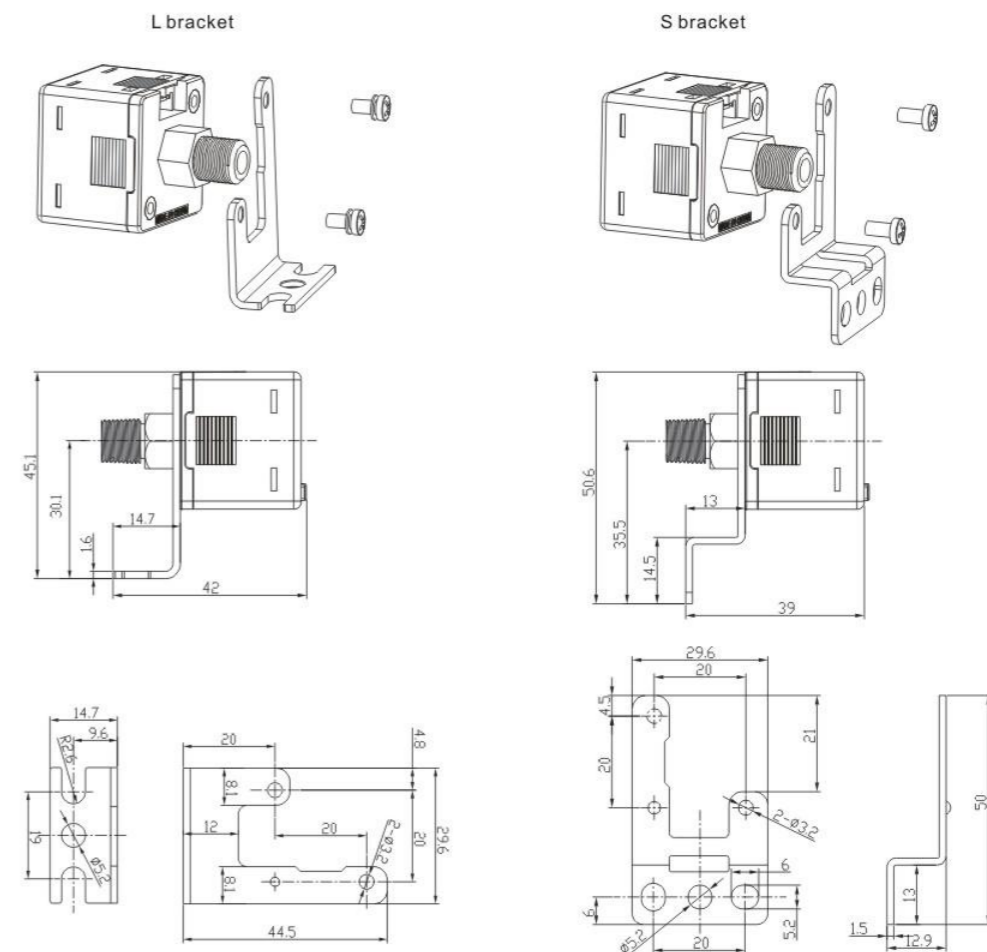


MOUNTING DIMENSIONS(mm)

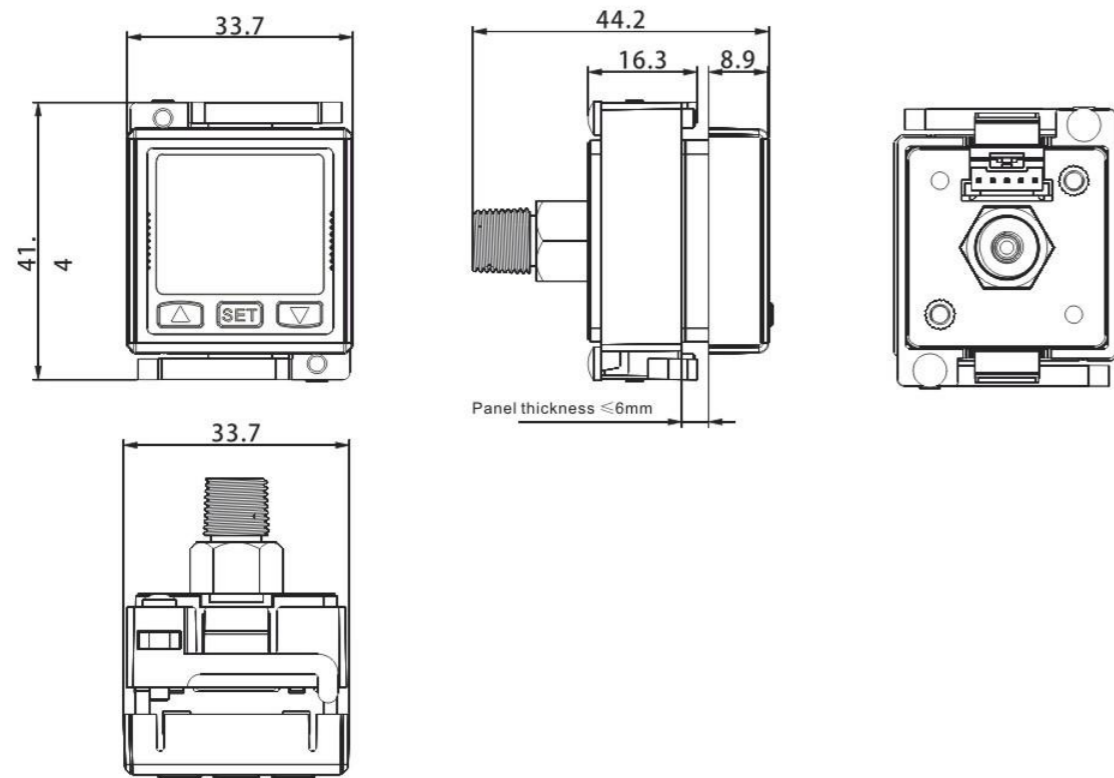
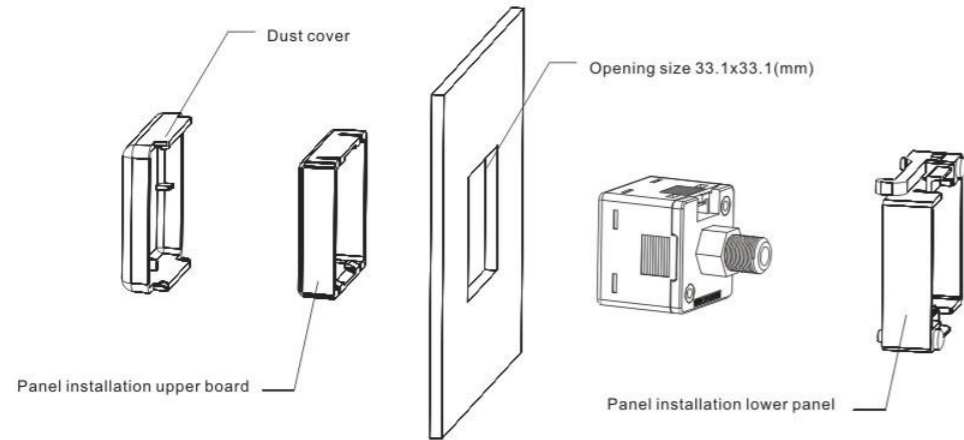
Overall dimension & connection port



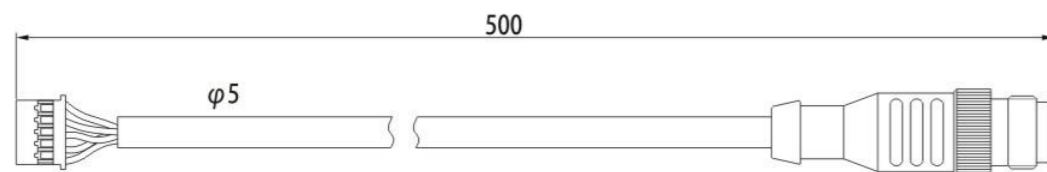
Mounting bracket



Panel bracket

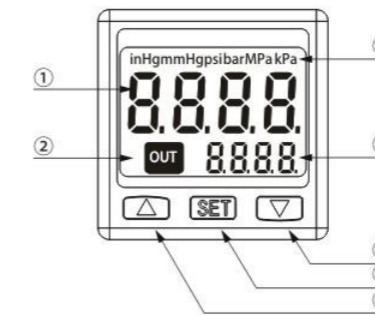


Wire size



DPS-6 Series

PANEL

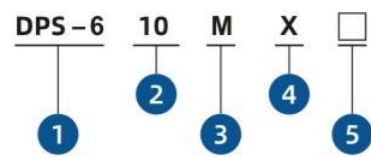


No	Name
1	Main display area
2	Output indicator
3	Up button
4	Set button
5	Down button
6	Sub-display section
7	Pressure unit

SPECIFICATION

Model		DPS-601 Mixed pressure	DPS-610 Positive pressure
Pressure measure	Range of Measure	-100KPa~+100KPa	-100KPa~+1000KPa
	Setting Range	-100KPa~+100KPa	-100KPa~+1000KPa
	Withstand Pressure	500KPa	1500KPa
	Pressure Type	Non flammable, non-corrosive gas, gauge pressure measurement	
	Measure Accuracy	≤±2%F.S.(ambient temperature 25°C)	
	Temperature Error	≤±3%F.S. (temperature range 0~ 50°C)	
Measure Pattern		Easy mode Hysteresis model Compar mode of upper and lower bounds	
Port size		Internal thread M5	
Input Power	Voltage Range	12~24VDC ±10%	
	Power Consumption	40mA max(non-load)	
Output Signal	Transistor output	NPN/PNP open-collector output Output current: 80mA MAX	
	Response time	Adjustable:MIN 2.5MS	
	Analog output	Voltage output Signal amplitude:1 -5V Load resistance: >1KΩ	
Environmental Resistance	Ip Class	IP40	
	Ambient Temperature	Operating temperature 0~50°C ,storage temperature -20~60°C	
	Ambient Humidity	Operating humidity 35~ 80%RH	
	Insulation Voltage	1000VAC 1min	
	Insulation Resistance	>50mΩ(500VDC)	
	Shock	Max100m/s²,3time seach in 6 directions of x,y,z	
Vibration	Amplitude 1.5mm, 10HZ~ 500HZ, 2 hours each direction of x,y,z		

ORDERING CODE



1. DPS-6 Series

2. Range
10: -100~1000kpa
01: -100~100kpa

3. Port
R: R1/8
N: NPT1/8
G: G1/8
M: M5 Thread

4. Output

X: 1*NPN+1*PNP
V: 1*NPN+1*PNP&
Analog 1-5V

5. Mounting

M: Panel
Z: L Bracket
M: S Bracket

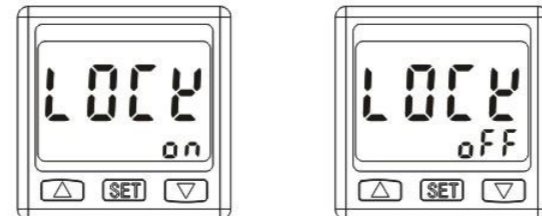
QUICK SETTING

Zero point setting



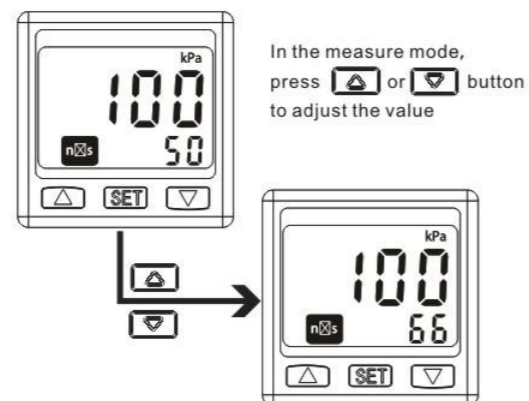
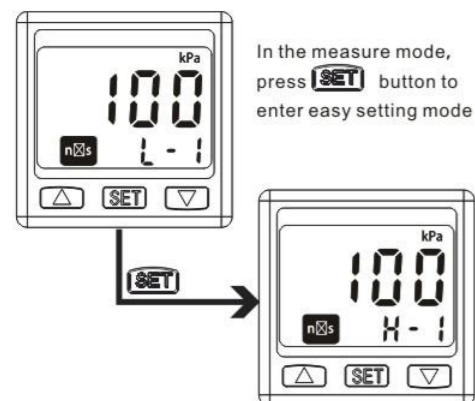
In the measure mode, press button at the same time, until display "o", release the button

key lock and unlock



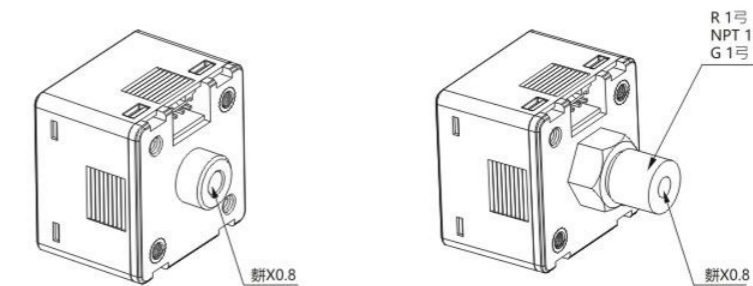
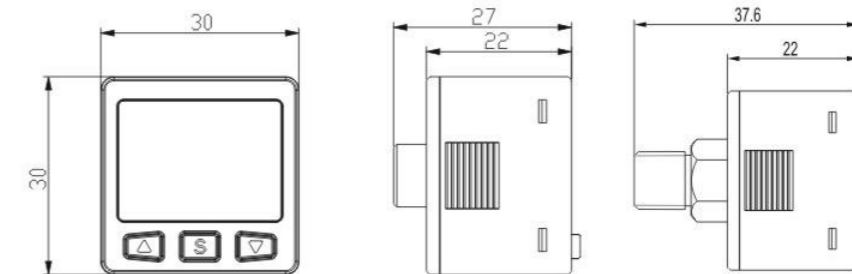
Lock: in measure mode, press + until "LOCK ON" shown;
Unlock: press + until "LOCK OFF" shown;

Easy setup



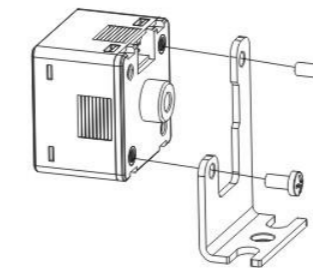
MOUNTING DIMENSIONS(mm)

Overall dimension & connection port

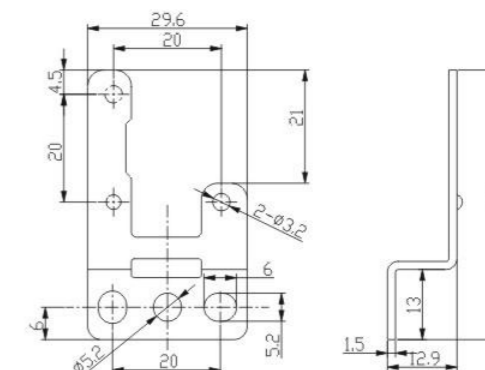
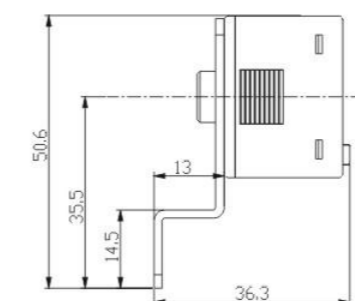
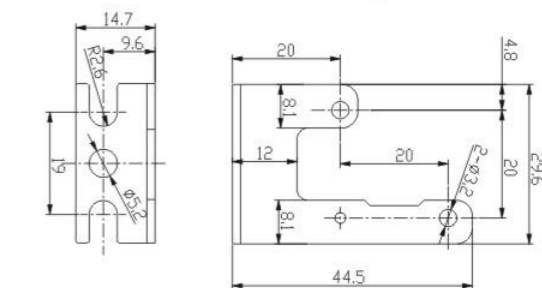
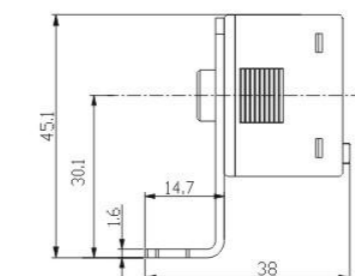
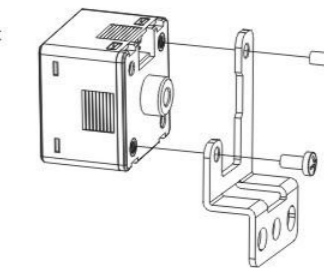


Mounting bracket

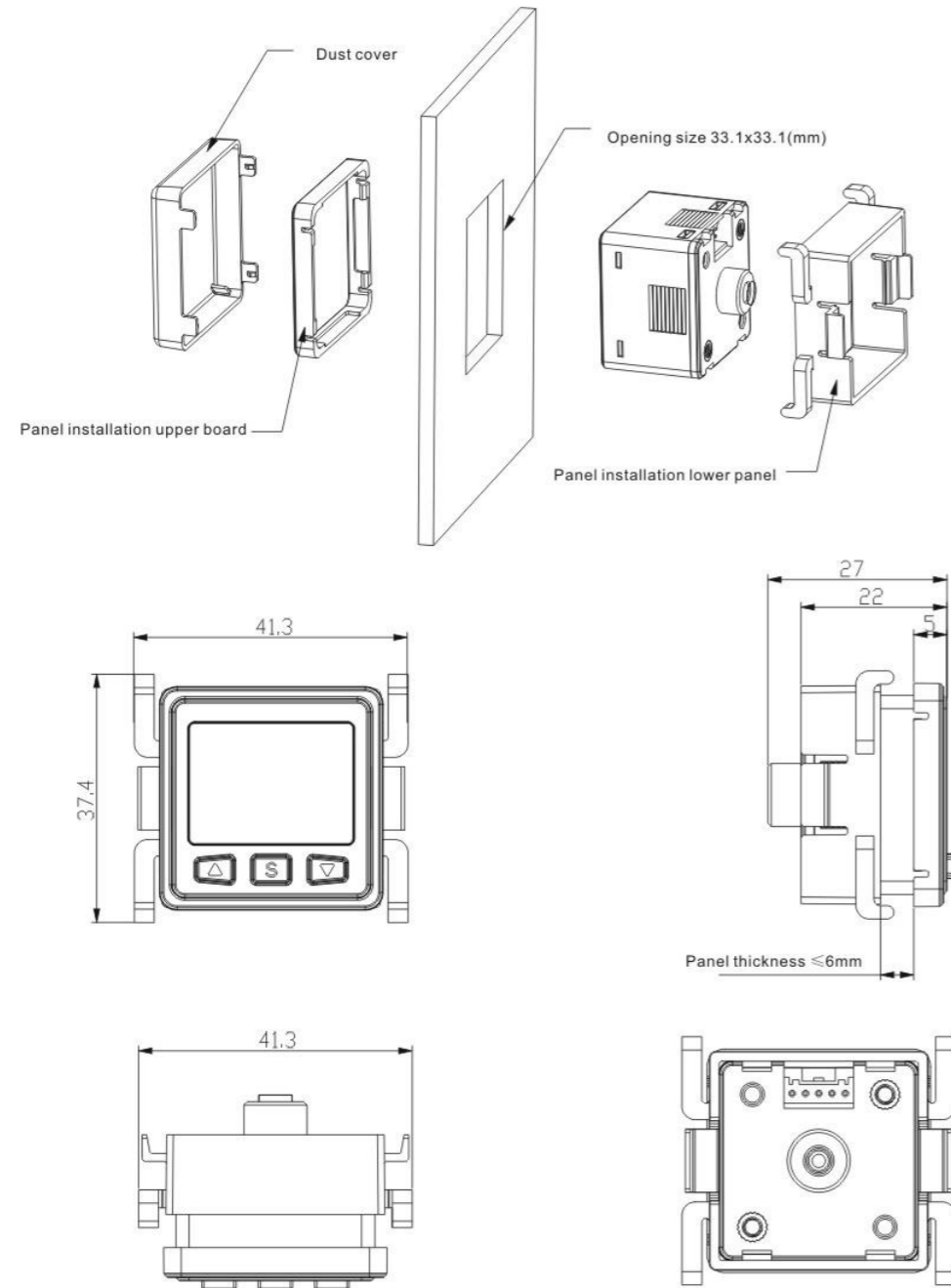
L bracket



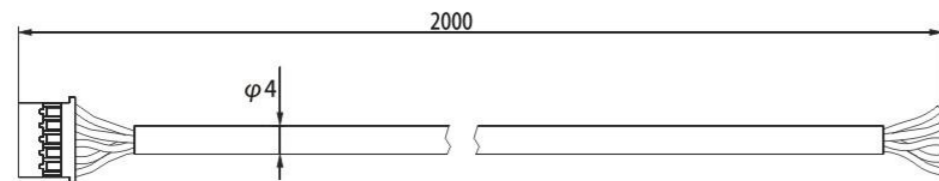
S bracket



Panel bracket

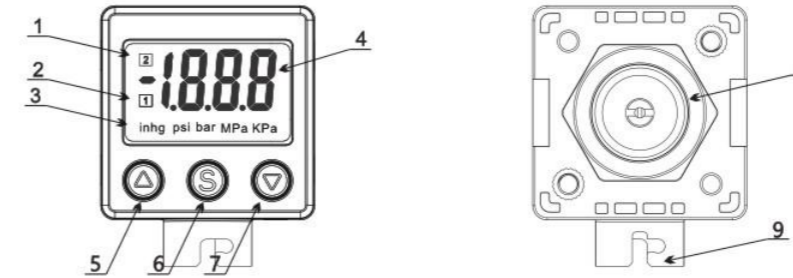


Wire size



DPS-5 Series (Anti-corrosion)

PANEL

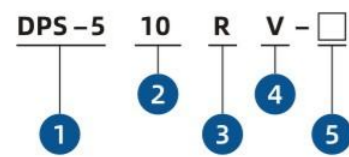


No	Name
1	Output indicator
2	Output indicator
3	Pressure unit
4	Main display section
5	Up button
6	Section button
7	Down button
8	Pressure port
9	Electric interface

SPECIFICATION

Model	DPS-501	DPS-510	DPS-520	
Pressure measure	Range Of Measure	-100KPa~100KPa	-0.1MPa~1MPa	-0.1MPa~2MPa
	Setting Range	-100KPa~100KPa	-0.1MPa~1MPa	-0.1MPa~2MPa
	Withstand Pressure	300KPa	3MPa	
	Pressure Type	Any flow which do not react with sus316L		
	Measure Accuracy	≤±2%F.S.(ambient temperature 25°C)		
	Temperature Error	≤±3%F.S. (temperature range 0~ 50°C)		
	Measure Pattern	Easy Mode Hysteresis model indow mode.		
Port size				
Male thread R1/4, NPT1/4, G1/4, female thread M5				
Display	Status Display	LCD, 4-digit measurement value, unit display, output status display		
	Display Model	Adjustable backlight, 4 groups of display modes		
Input Power	Voltage Range	12~24VDC ±10%		
	Power Consumption	40mA max(non-load)		
Output Signal	Transistor Output	NPN open-collector output Output current :80mA MAX Voltage drop : ≤1V	PNP open-collector output Output current :80mA MAX Voltage drop : ≤1V	
	Analog Output	Voltage output Signal ampliude:1~5V Load resistance ≥1KΩ	Current output Signal ampliude:4~20mA Load resistance ≤400Ω	
	Response Time	Adjustable : 2.5ms、 20ms、 100ms、 500ms、 1000ms、 1500ms		
	Short-circuit Protecdtion	Yes		
Environmetal Resistance	Ip Class	IP65		
	Ambient Temperature	Operating temperature 0~50°C ,storage temperature -20~60°C		
	Ambient Humidity	Operating humidity 35~ 80%RH		
	Insulation Voltage	1000VAC 1min		
	Insulation Resistance	≥50mΩ(500VDC)		
	Shock	Max100m/s²,3time seach in 6 directions of x,y,z		
	Vibration	Amplitude 1.5mm, 10HZ~ 500HZ, 2 hours each direction of x,y,z		

ORDERING CODE



1. DPS-5 Series

2. Range

10: -100~1000kpa
20: -100~2000kpa
01: -100~100kpa

3. Port

R: R1/4" (M5 female thread)
N: NPT1/4"(M5 female thread)
G: G1/4" (M5 female thread)

4. Output

V: 2*NPN+Analog 1~5V
W: 2*PNP+Analog 1~5V
A: 2*NPN+Analog 4~20mA
B: 2*PNP+Analog 4~20mA

5. Mounting

M: Panel
N: Panel+shield
Z: L bracket
S: S bracket

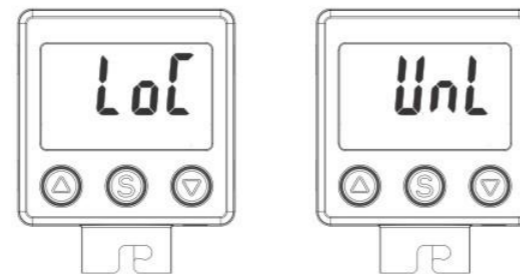
QUICK SETTING

Zero point setting



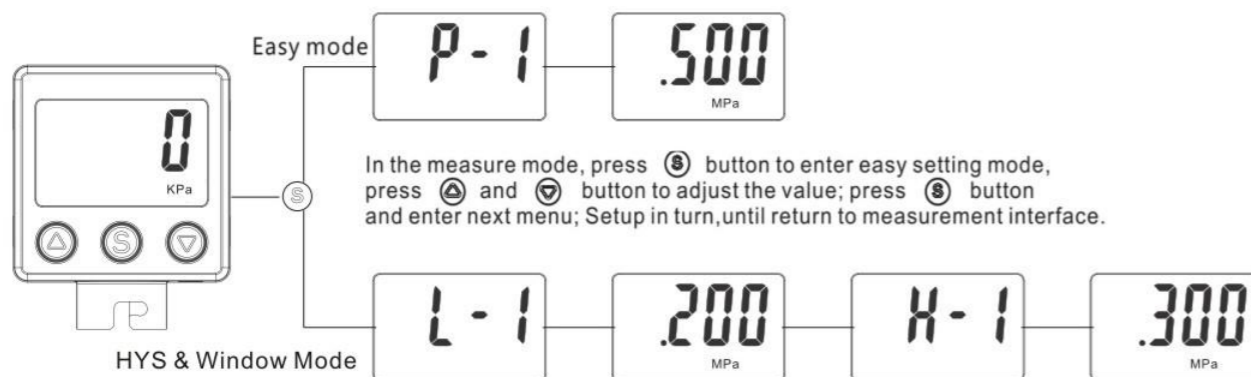
In the measure mode, press Δ + ∇ button at the same time, until display "0", release the button;
PS: reset range: +/-10%F.S.

key lock and unlock



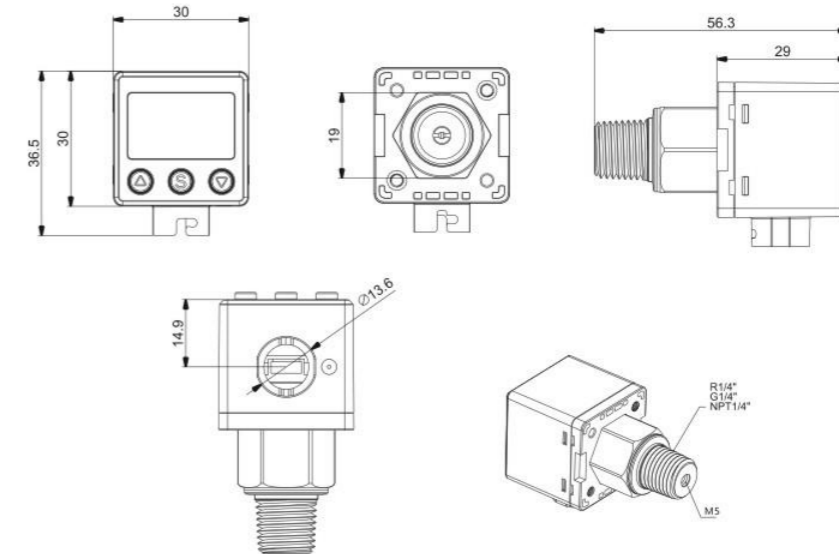
Lock: in the measure mode, press Δ + S + ∇ button at the same time until "LOC" shown, release the buttons;
Unlock: in the measure mode, press Δ + S + ∇ button at the same time until "UNL" shown, release the buttons.

Easy setup



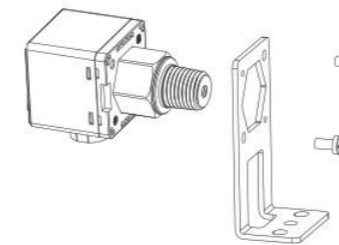
MOUNTING DIMENSIONS(mm)

Overall dimension & connection port

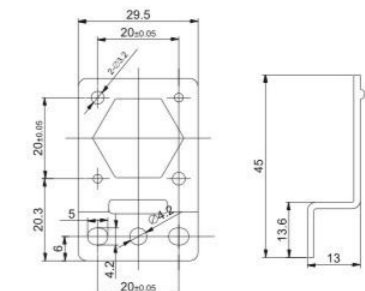
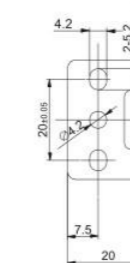
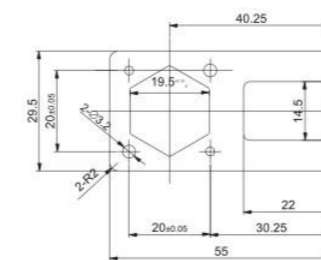
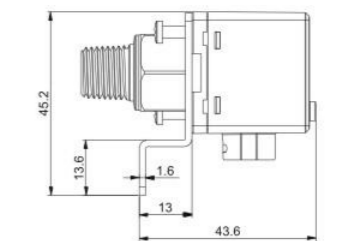
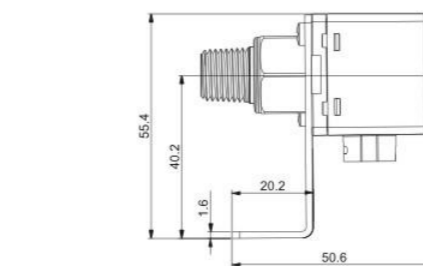
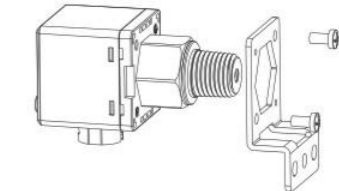


Mounting bracket

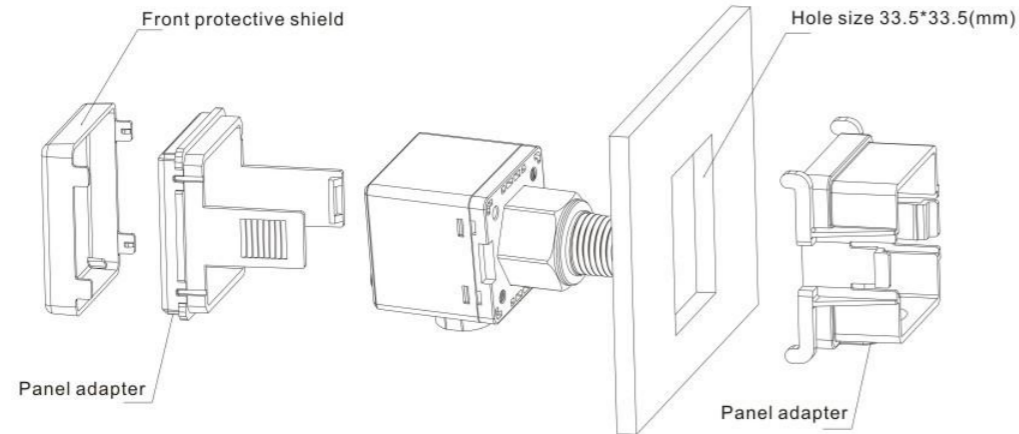
L bracket



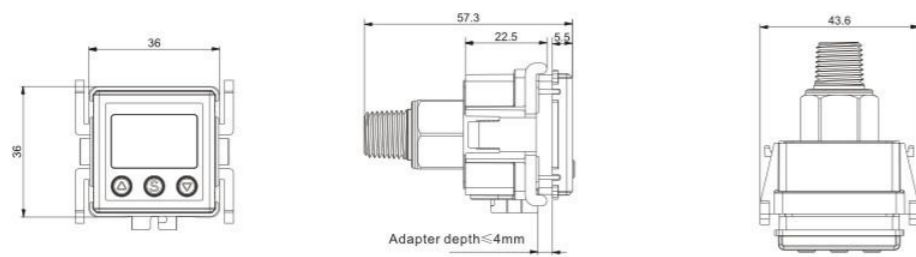
S bracket



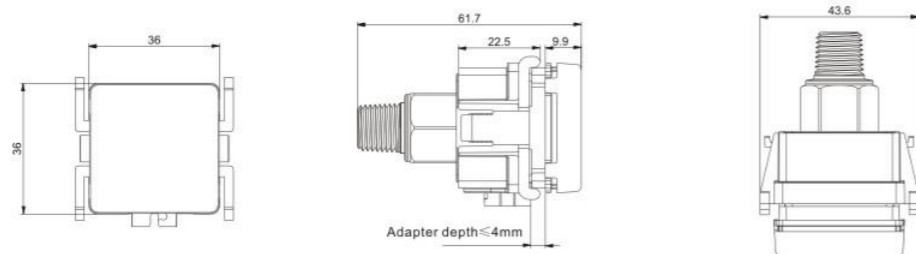
Panel bracket



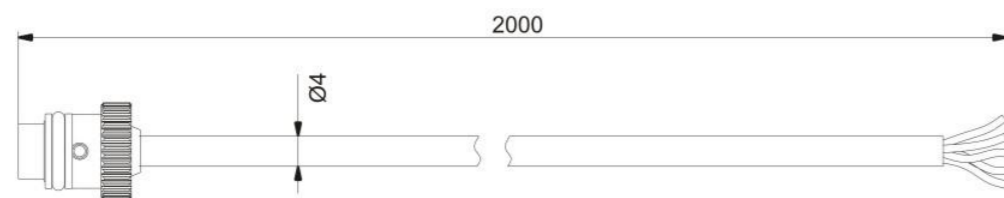
Panel mount



Add dust cover installation

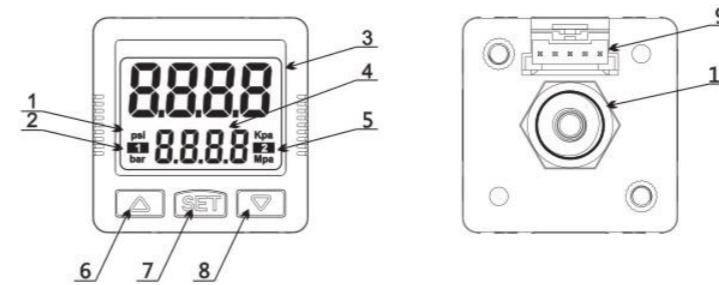


wire dimension



DPS-2 Series

PANEL

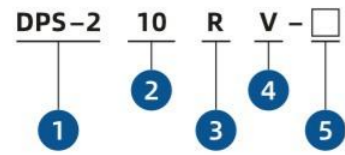


No	Name
1	Pressure Unit
2	Ouput 1 Indicator
3	Main Display Section
4	Sub-display Section
5	Ouput 2 Indicator
6	Up Button
7	Setting Button
8	Down Button
9	Electric Interface
10	Pressure Port

SPECIFICATION

Model		DPS-201(Compound)	DPS-210(Positive)
Pressure measure	Range Of Measure	-100kPa~100kPa	-0.100MPa~1.000MPa
	Setting Range	-100kPa~100kPa	0.000MPa~1.000MPa
	Withstand Pressure	500kPa	1.500MPa
	Pressure Type	Non-flammable ,Non-corrosive gas, Gauge pressure measurement	
	Measure Accuracy	≤±2%F.S.(Ambient temperature 25°C)	
	Temperature Error	≤±3%F.S. (Temperature range 0~ 50°C)	
	Measure Pattern	Hysteresis model Compare mode of upper and lower bounds	
Port size		External R1/8、NPT1/8、G1/8 option , internal thread M5	
Display	Brief Description	Double LCD display	
	Status Display	4-digital measurement value ,unit display,output status display	
	Display Model	Adjustable backlight ,4 groups of dispaly models	
Input Power	Voltage Range	12~24vdc ±10%	
	Power Consumption	40mA MAX(Non-load)	
Output Signal	Transistor Output	NPN open-collector oupt Output current :80mA MAX Voltage drop : ≤1V	PNP open-collector oupt Output current :80mA MAX Voltage drop : ≤1V
	Analog Output	Voltage output Signal ampliude:1~5V Load resistance >1kΩ	Current output Signal ampliude:4~20mA Load resistance<400kΩ
	Response Time	Adjustable : 2.5ms、20ms、100ms、500ms、1000ms、2000ms	
	Short-circuit Protecdtion	Yes	
Environmetal Resistance	Ip Class	IP40	
	Ambient Temperature	Operating temperature 0~50°C ,storage temperature -20~60°C	
	Ambient Humidity	Operating humidity 35~ 80%RH	
	Insulation Voltage	1000VAC 1min	
	Insulation Resistance	≥50mΩ(500VDC)	
	Shock	Max100m/s²,3time seach in 6 directions of x,y,z	
	Vibration	A mlplitude 1.5mm, 10HZ~ 500HZ, 2 hours each direction of x,y,z	

ORDERING CODE



1. DPS-2 Series

2. Range

10: -100~1000kpa
01: -100~100kpa

3. Port

R: R1/8(M5 female thread)
N: NPT1/8 (M5 female thread)
G: G1/8 (M5 female thread)

4. Output

N: NPNx2
P: PNPx2
A: NPN+Analog 4~20mA
V: NPN+Analog 1~5V
B: PNP+Analog 4~20mA
W: PNP+Analog 1~5V

5. Mounting

M: Panel
N: Panel+shield
Z: L bracket
S: S bracket

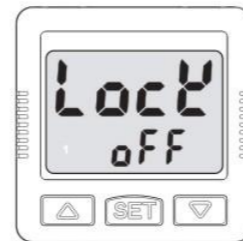
QUICK SETTING

Zero point setting



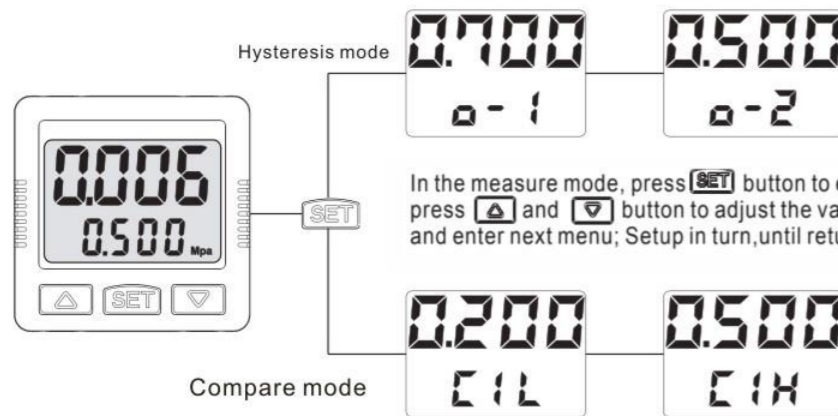
In the measure mode, press Δ ∇ button at the same time, until display "0", release the button;
PS: reset range: +/-10%F.S.

key lock and unlock



Lock: in the measure mode, press Δ + **SET** + ∇ button at the same time until "LOCK ON" shown, release the buttons;
Unlock: in the measure mode, press Δ + **SET** + ∇ button at the same time until "LOCK OFF" shown, release the buttons.

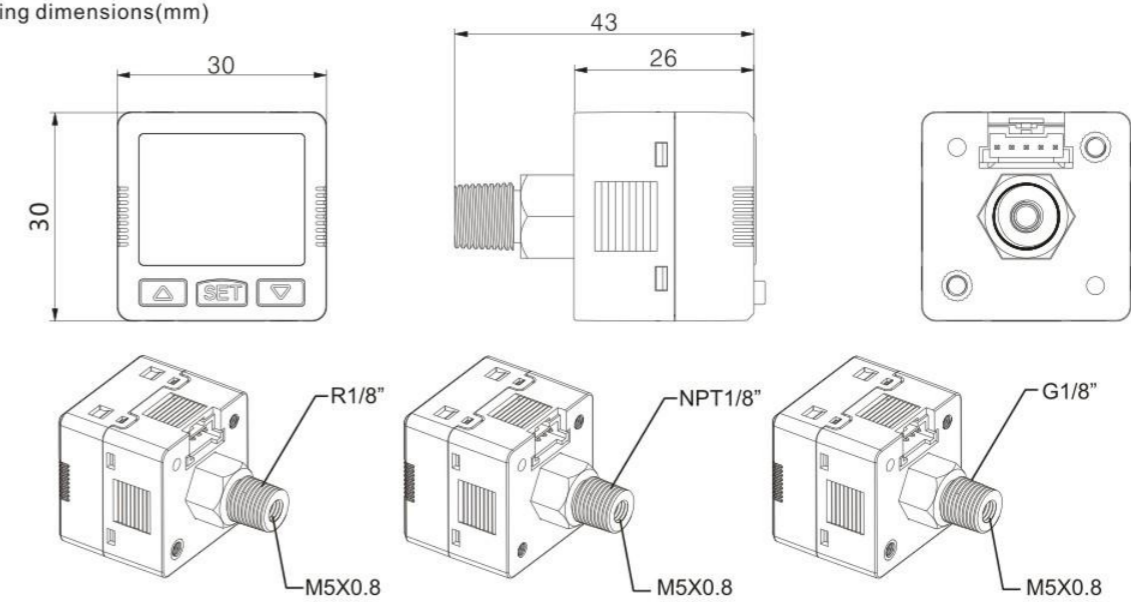
Easy setup



In the measure mode, press **SET** button to enter easy setting mode, press Δ and ∇ button to adjust the value; press **SET** button and enter next menu; Setup in turn, until return to measurement interface.

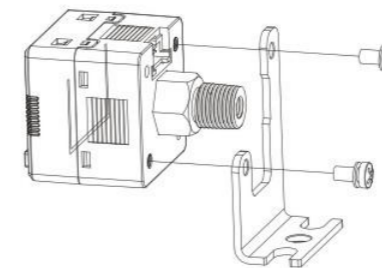
MOUNTING DIMENSIONS(mm)

Mounting dimensions(mm)

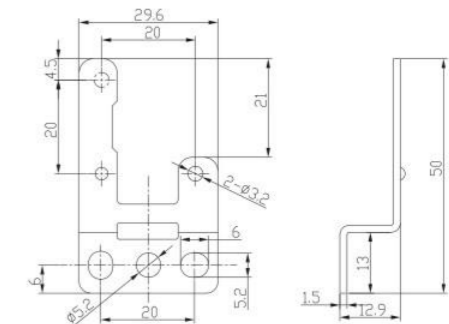
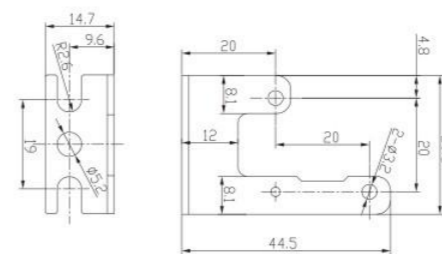
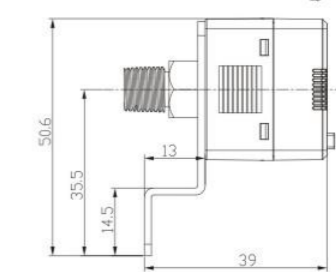
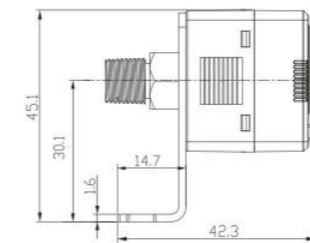
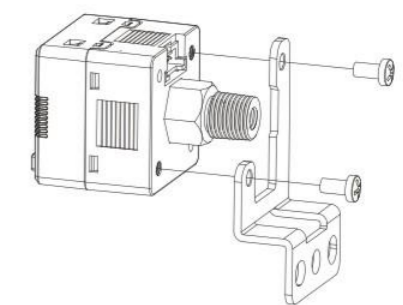


Mounting Bracket

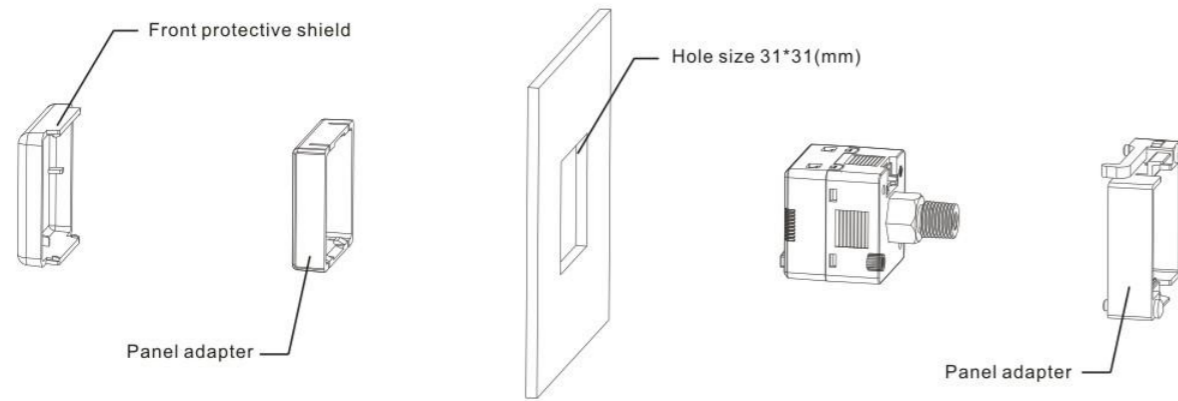
L bracket



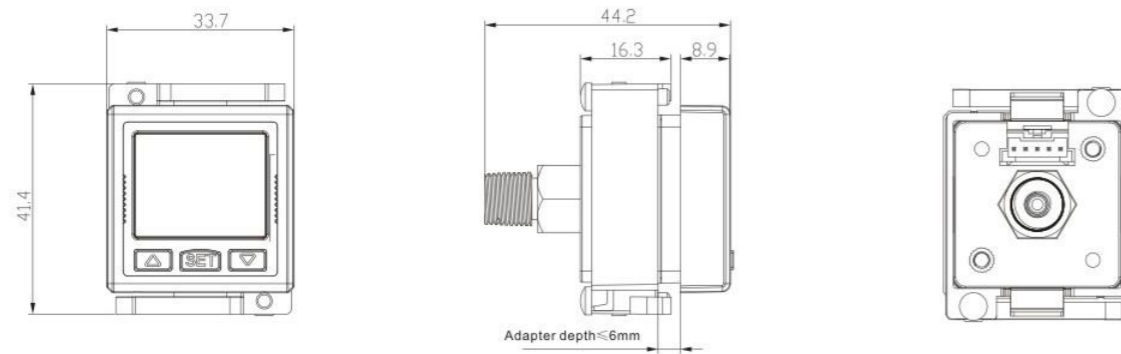
S bracket



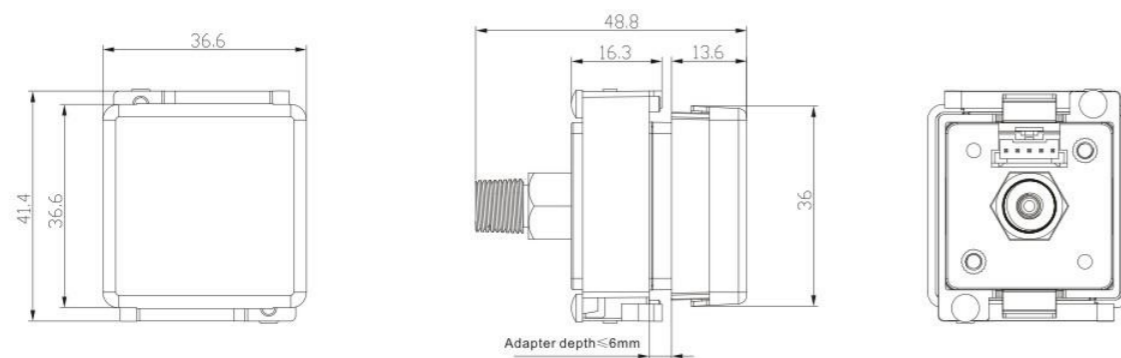
Panel bracket



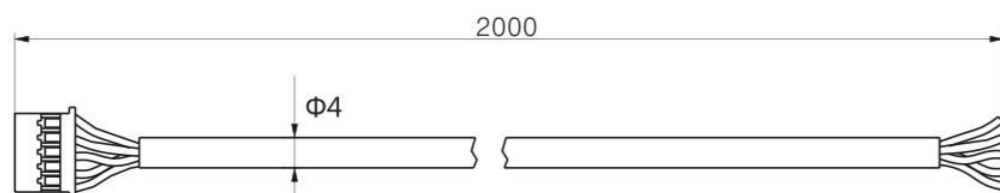
Panel mount



Add dust cover installation

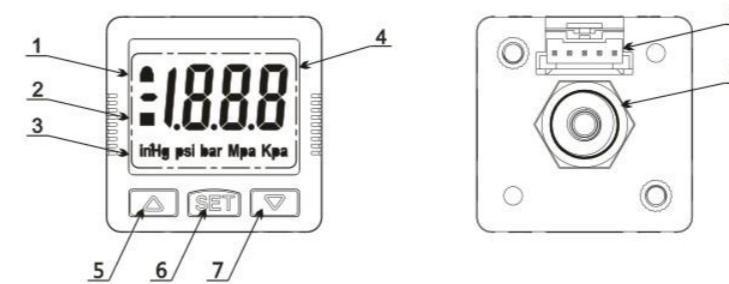


Wire dimension



DPS-3 Series (Anti-corrosion)

PANEL

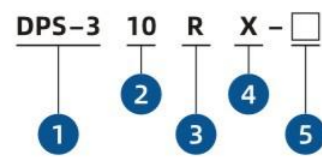


序号	名称
1	Locking indicator
2	Output indicator
3	Pressure unit
4	Main display section
5	Up button
6	Setting button
7	Down button
8	Electric interface
9	Pressure port

SPECIFICATION

Model		DPS-301(Compound)	DPS-310(Positive)
Pressure measure	Range Of Measure	-100kPa~100kPa	-0.100MPa~1.000MPa
	Setting Range	-100kPa~100kPa	0.000MPa~1.000MPa
	Withstand Pressure	500kPa	1.500MPa
	Pressure Type	Non-flammable ,Non-positive gas, Gauge pressure measurement	
	Measure Accuracy	≤±2%f.s.(ambient temperature 25°C)	
	Temperature Error	≤±3%f.s. (t temperature range 0~ 50°C)	
	Measure Pattern	Hysteresis mode Single point mode Window mode	
Port size		External R1/8, NPT1/8, G1/8 option , internal thread M5	
Display	Status Display	LCD display,4-digital measurement value ,unit display ,output status display	
	Display Model	Adjustable backlight ,4 groups of dispaly models	
Input Power	Voltage Range	12~24vdc ±10%	
	Power Consumption	40ma max(non-load)	
Output Signal	Transistor Output	NPN open-collector oupt Output current :80ma max Voltage drop : ≤1v	PNP open-collector oupt Output current :80ma max Voltage drop : ≤1v
	Response Time	Adjustable : 2.5ms、 20ms、 100ms、 500ms、 1000ms、 2000ms	
	Short-circuit Protecdtion	Yes	
Environmetal Resistance	Ip Class	IP40	
	Ambient Temperature	Operating temperature 0~50°C ,storage temperature -20~60°C	
	Ambient Humidity	Operating humidity 35~ 80%rh	
	Insulation Voltage	1000vac 1min	
	Insulation Resistance	≥50mΩ(500vdc)	
	Shock	Max100m/s ² ,3time seach in 6 directions of x,y,z	
Vibration	A mplitude 1.5mm, 10hz~ 500hz, 2 hours each direction of x,y,z		

ORDERING CODE



1. DPS-3 Series

2. Range

10: -100~100kPa
01: -100~100kPa

3. Port

R: R1/8(M5 female thread)
N: NPT1/8 (M5 female thread)
G: G1/8 (M5 female thread)

4. Output

X: NPN+PNP
Explanation 1: Product single-channel setting,
Optional NPN or PNP output channel,
the black wire is NPN and the white wire is PNP

5. Mounting

M: Panel
N: Panel+shield
Z: L bracket
S: S bracket

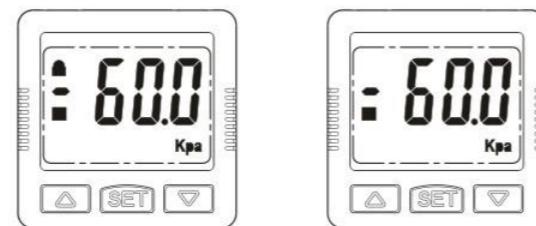
QUICK SETTING

Zero point setting



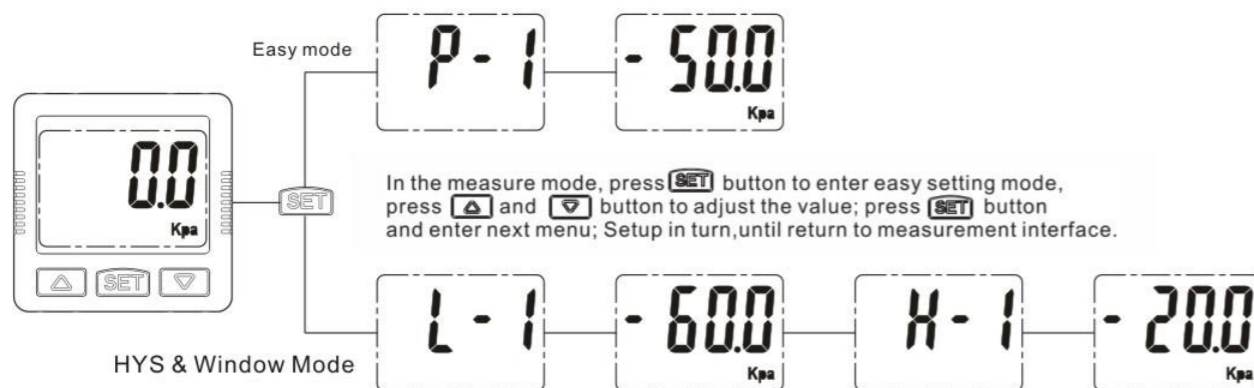
In the measure mode, press + button at the same time, until display "0", release the button;
PS: reset range: +/-10%F.S.

key lock and unlock



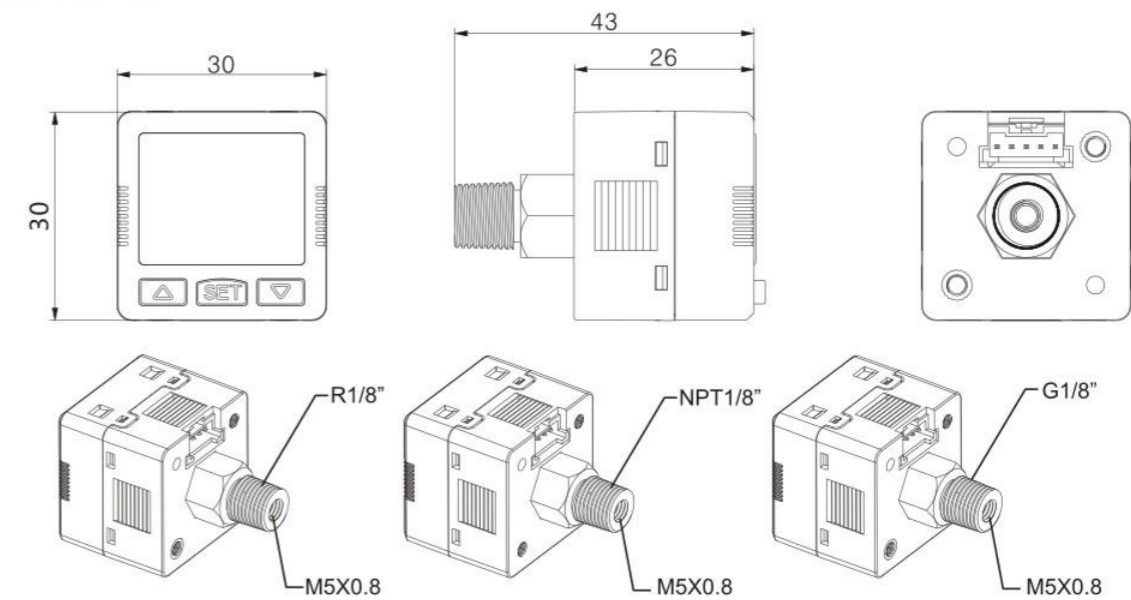
Lock: in the measure mode, press + + button at the same time until "LOCK ON" shown, release the buttons;
Unlock: in the measure mode, press + + button at the same time until "LOCK OFF" shown, release the buttons.

Easy setup



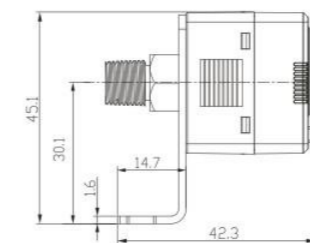
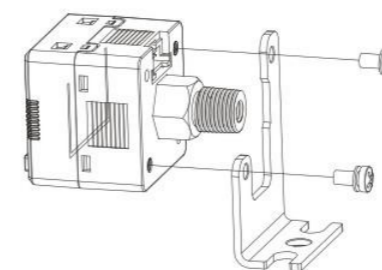
MOUNTING DIMENSIONS(mm)

Mounting dimensions(mm)

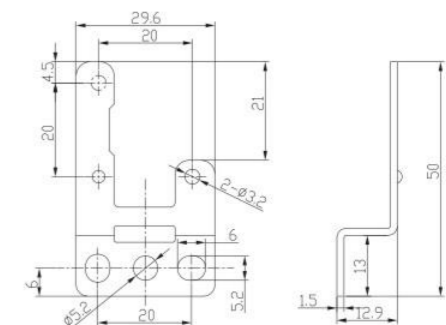
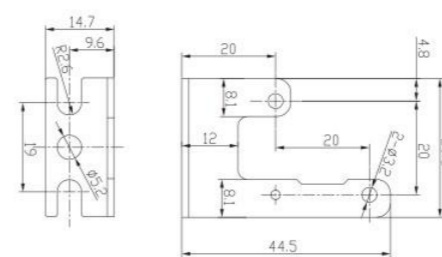
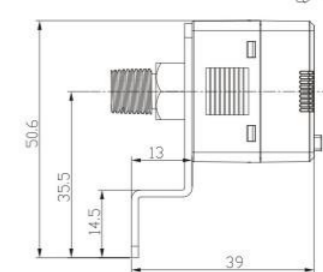
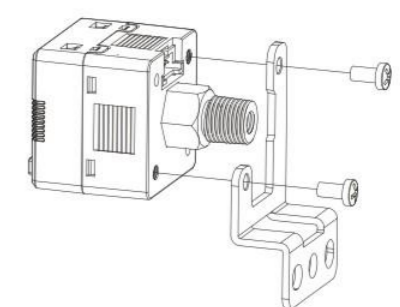


Mounting Bracket

L bracket

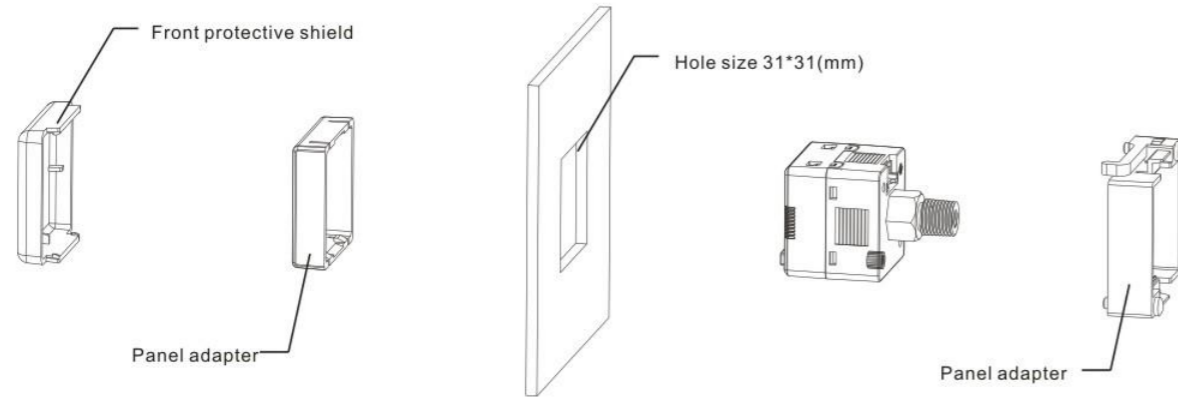


S bracket

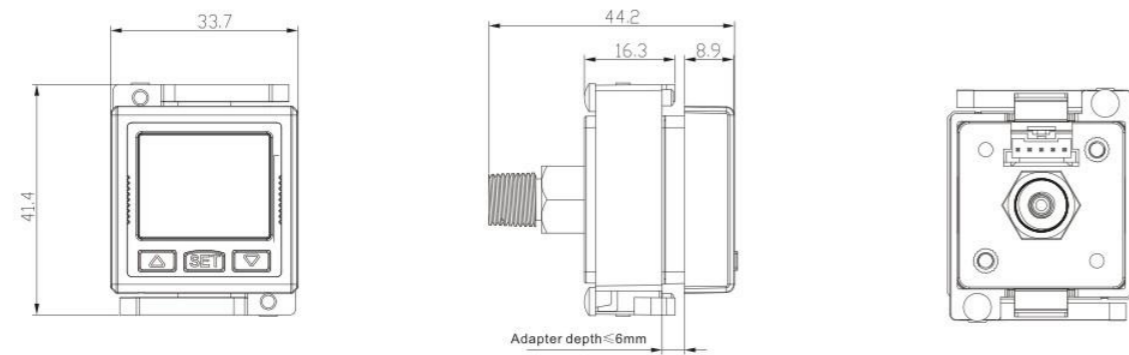


DPS series digital pressure switch

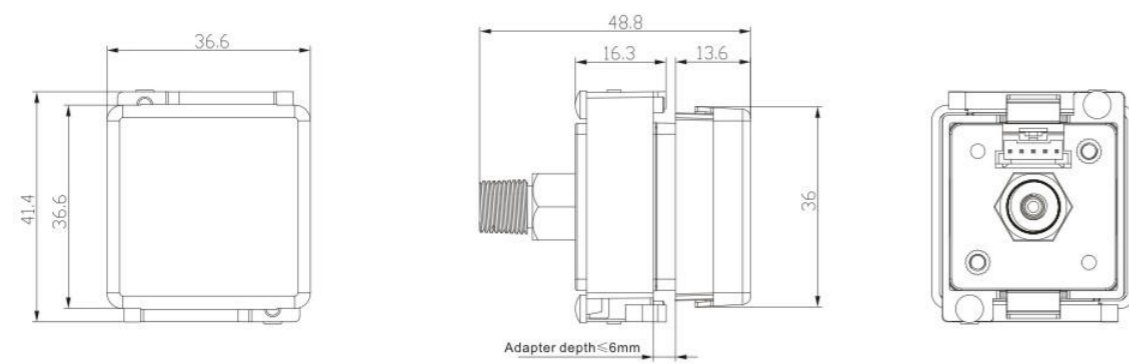
Panel bracket



Panel mount



Add dust cover installation



Wire dimension

